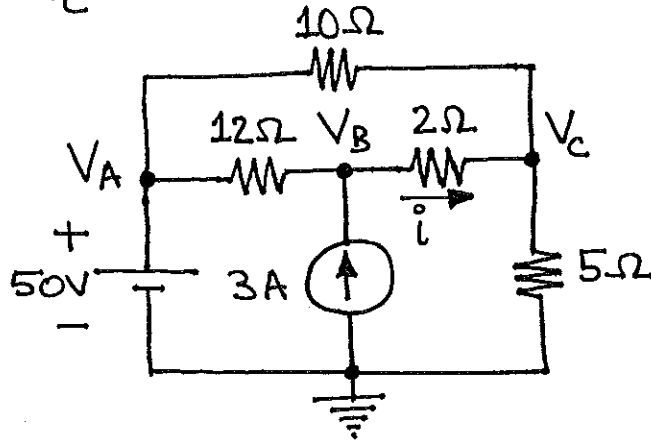
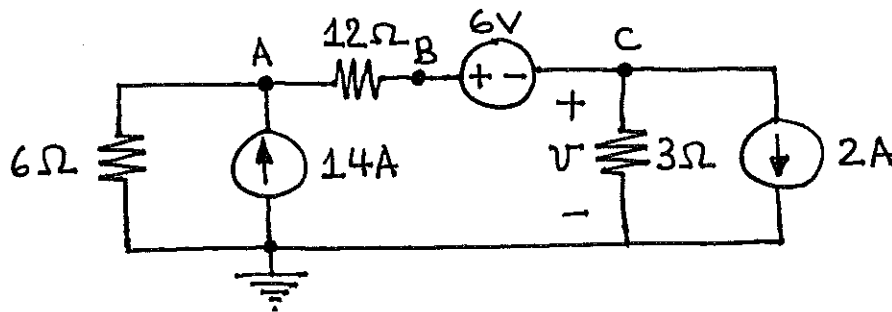


HOMWORK #3

1. In the circuit shown, find the node voltages  $V_B$  and  $V_C$  and use them to determine current  $i$ .



2. In the circuit shown, find the voltage  $V$ .



3. For the circuit shown, find the voltage of the  $1\Omega$  resistor and the current of the  $4\Omega$  resistor.

