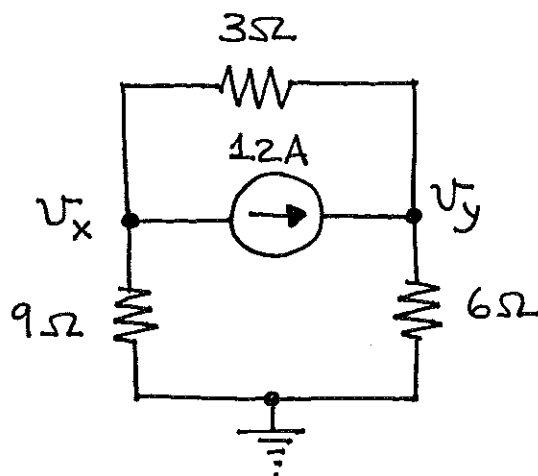
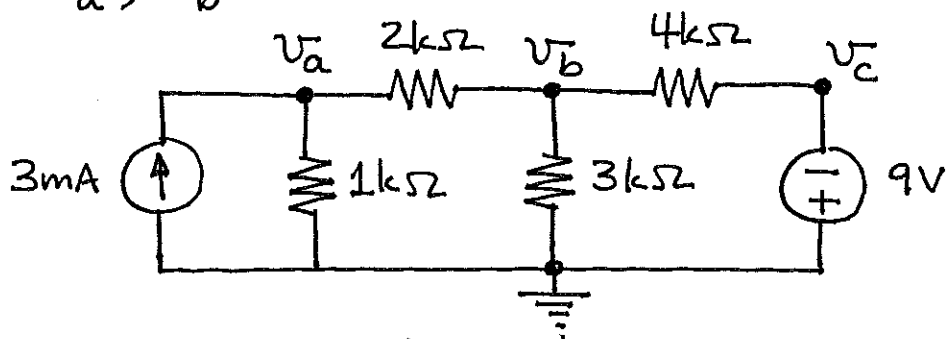


HOMEWORK # 3

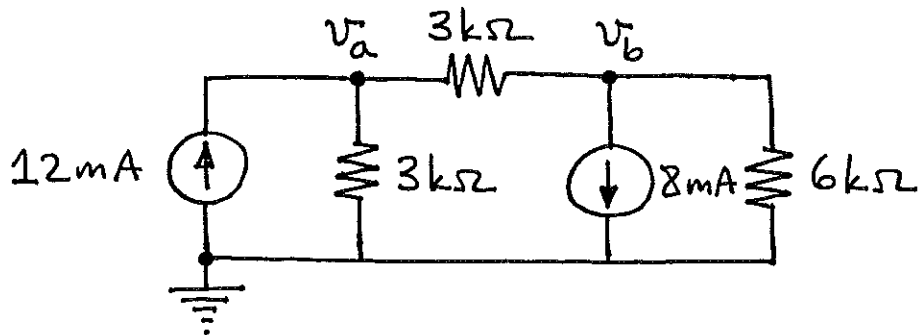
- (1) For the circuit shown, find the node voltages v_x and v_y . Provide units and box your answers.



- (2) In the circuit shown, find the node voltages v_a , v_b and v_c .



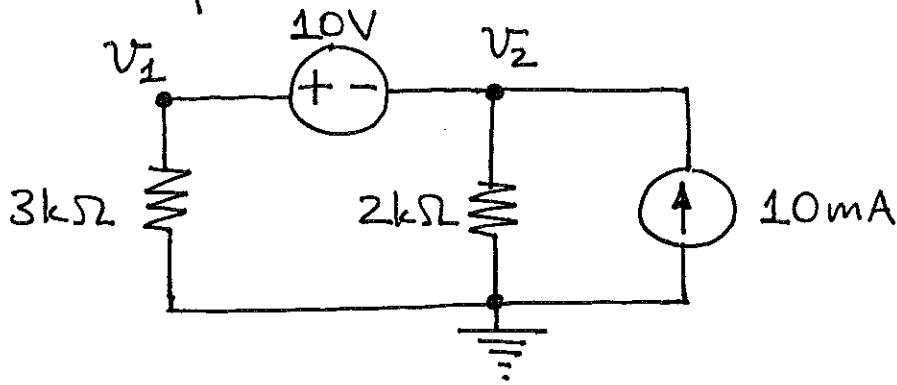
- (3) For the circuit shown, find node voltages v_a and v_b .



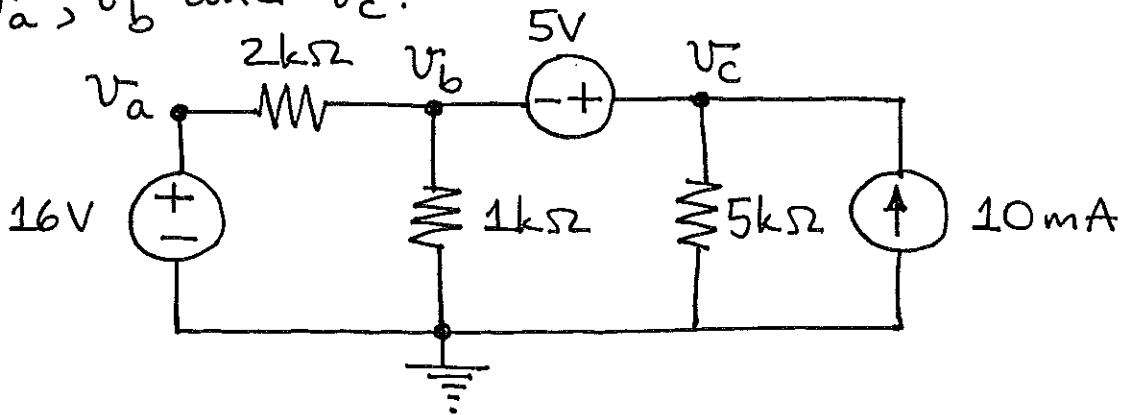
(4) For the circuit shown:

(a) Find the node voltages v_1 and v_2 .

(b) Find the power of each element using the values of v_1 and v_2 .



(5) For the circuit shown, find the node voltages v_a , v_b and v_c .



(6) For the circuit shown, find node voltages v_a , v_b and v_c .

