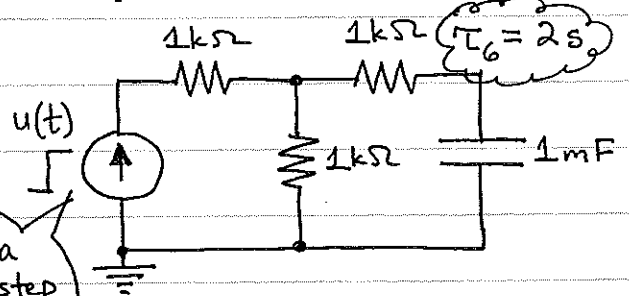
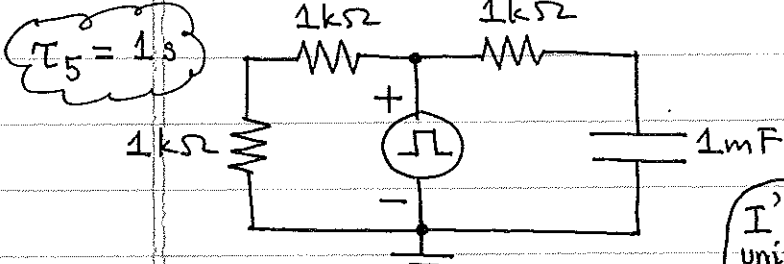
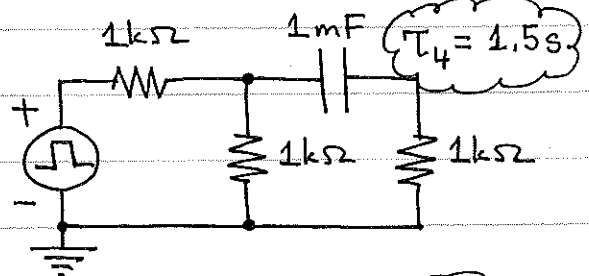
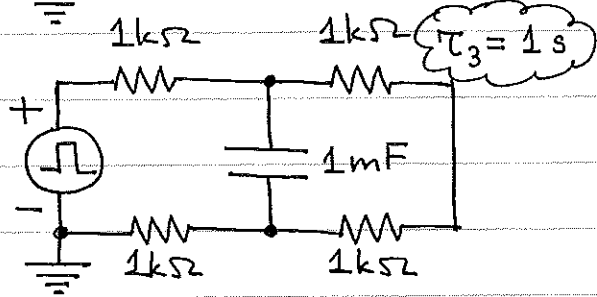
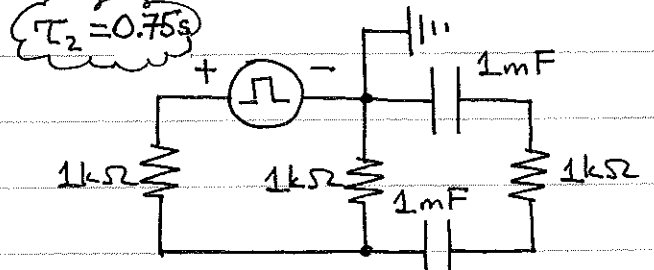
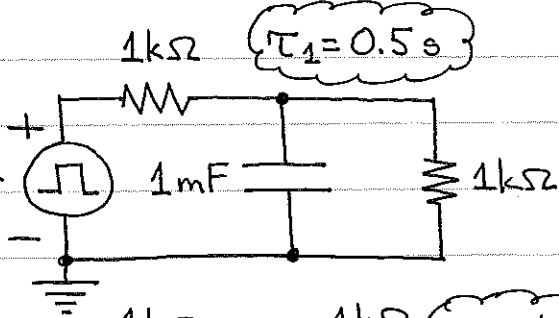


TIME CONSTANT τ

Find the time constant in each circuit shown.

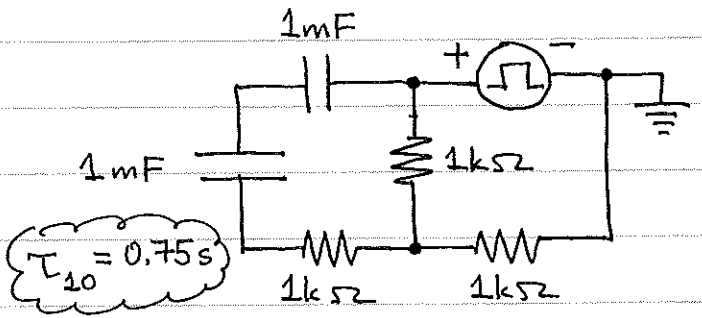
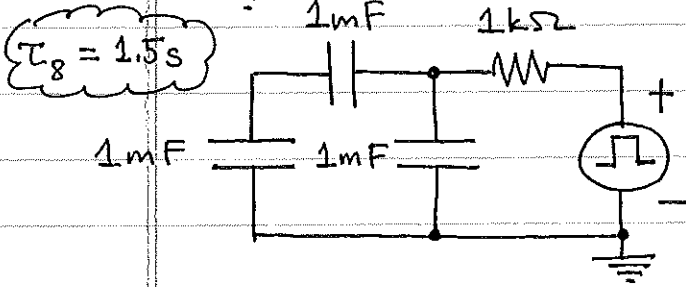
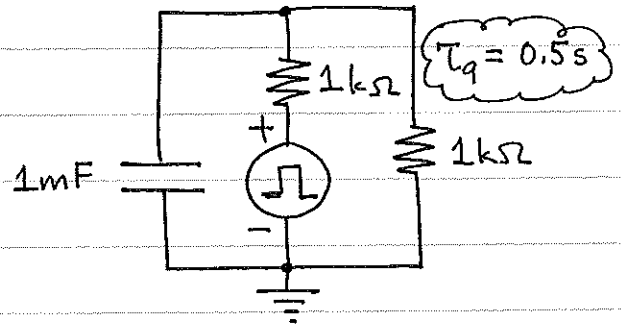
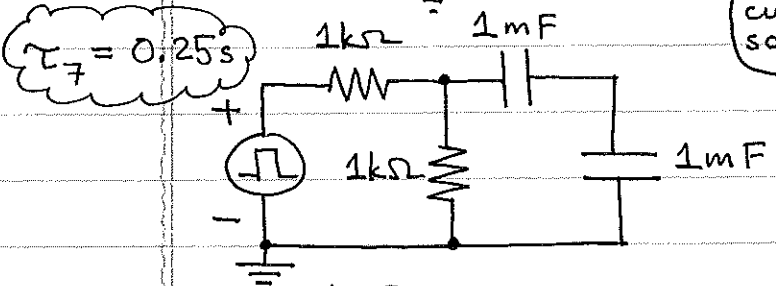
I'm a voltage source

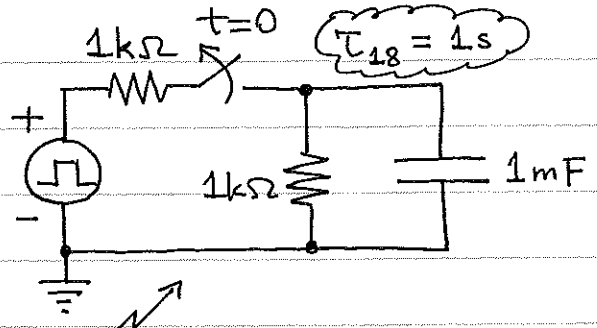
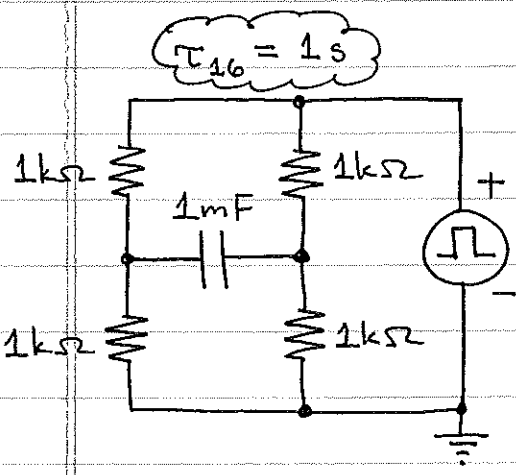
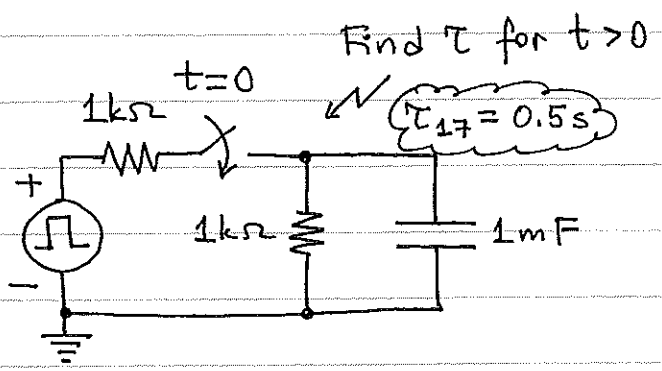
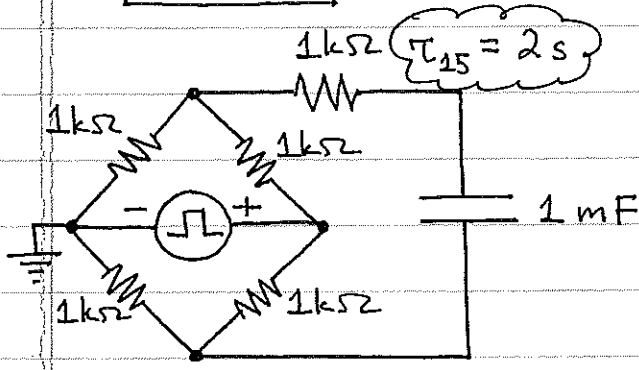
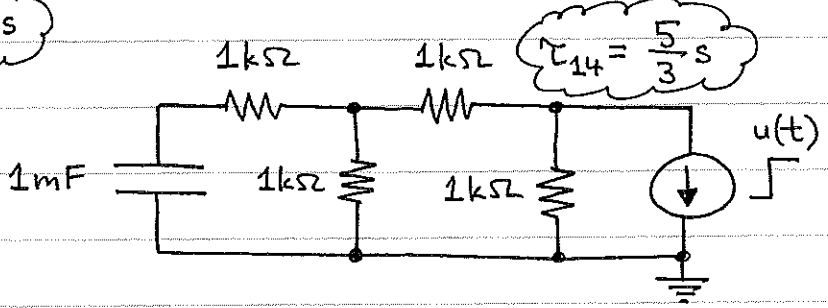
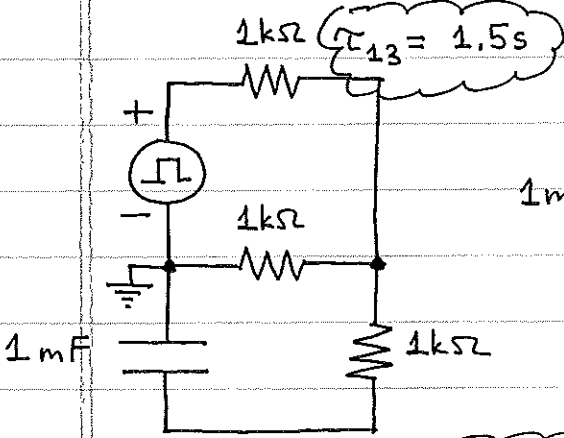
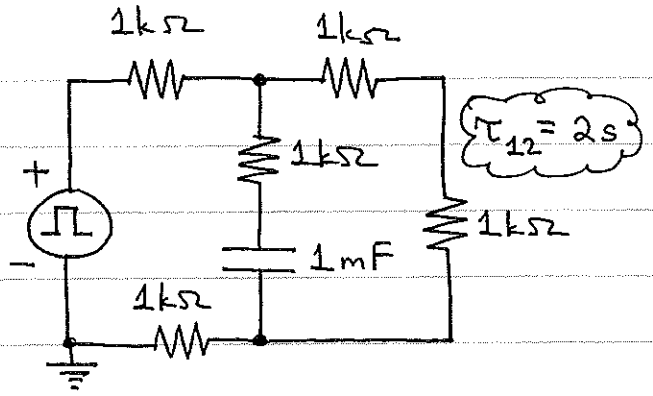
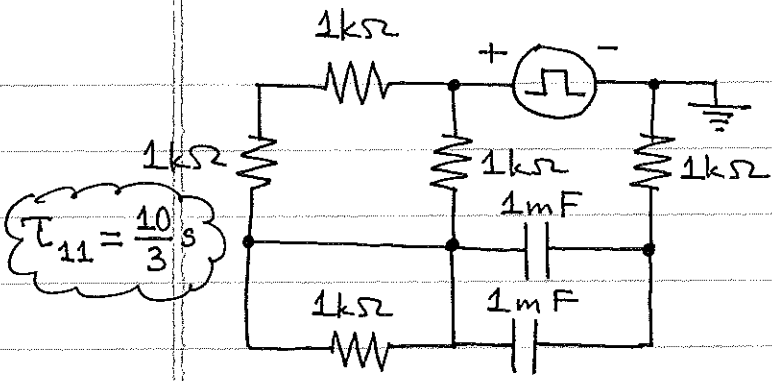
I represent the signal generator



I'm a unit-step current source

My current jumps from zero to one ampere at $t=0$





Time constant?



I can take an infinitely long vacation because of "time constant" Hurraay