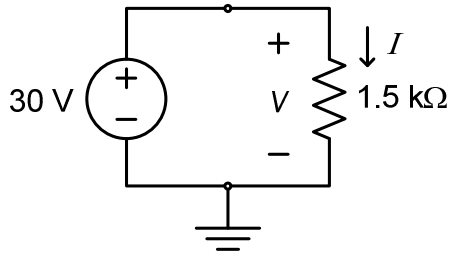
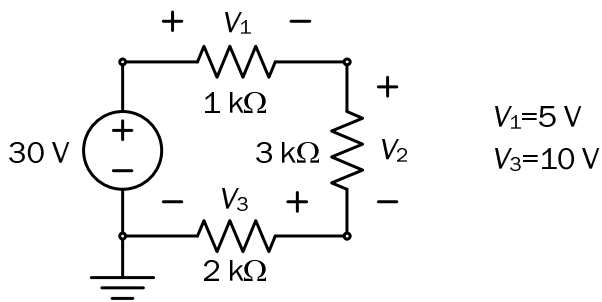


In this quiz, you are welcome to use your lab notebook as well as the lab manual.

1. What color bands would be used to label a 470 kΩ resistor with 10% tolerance?
2. Is it safe to use a resistor that can handle 0.5 W in the circuit below?



3. Voltages V_1 and V_3 are measured. Determine the value of voltage V_2 .



4. Suppose in the circuit below that the currents are found to be $I_1 = 7.5$ mA and $I_3 = 2.5$ mA. Determine the value of I_2 .

