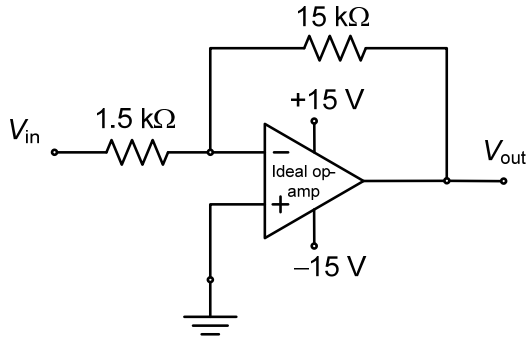


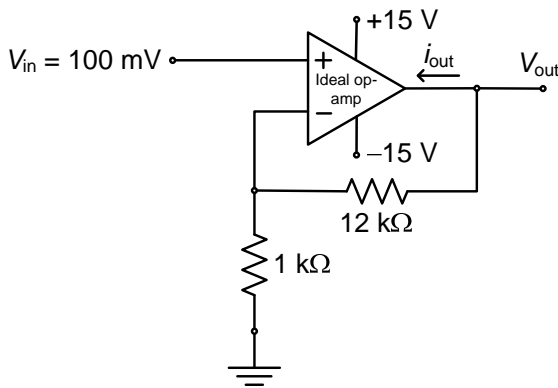
EE271 Sample Quiz 6 Spring 2015 Name \_\_\_\_\_

You are allowed to use your lab manual and lab notebook during the quiz.

(1) (30 points) For the op amp circuit shown, what is the voltage gain  $V_{out}/V_{in}$ ?



(2) (30 points) For the op amp circuit shown, find the values of  $V_{out}$  and  $i_{out}$ .



(3) (40 points) In the op amp circuit shown, find  $V_{out1}$  and  $V_{out2}$  in terms of  $V_{in}$ .

