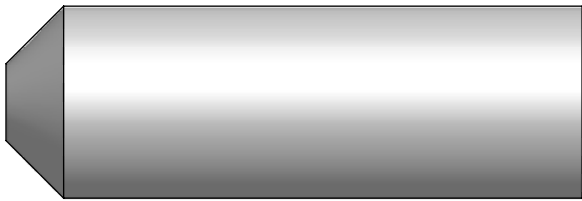
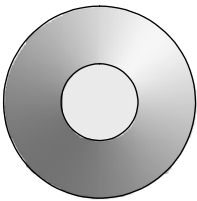
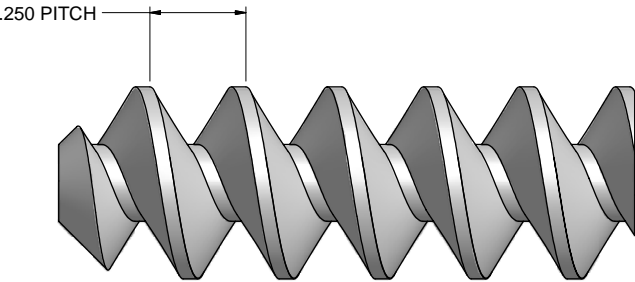
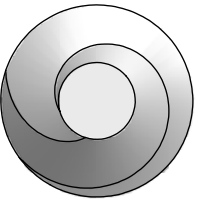
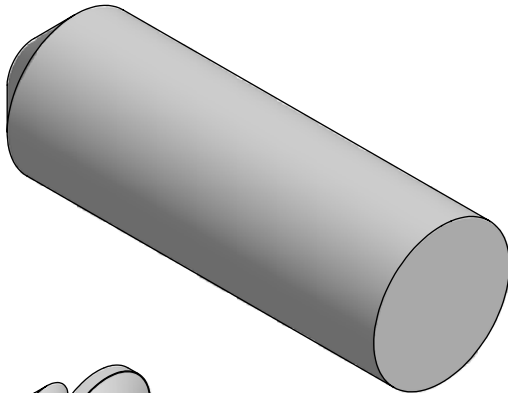


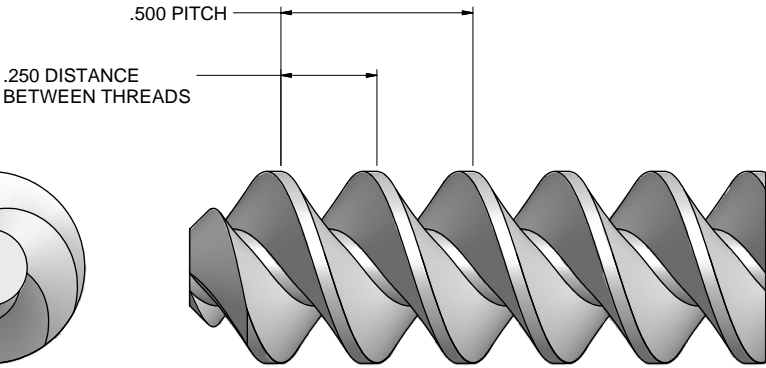
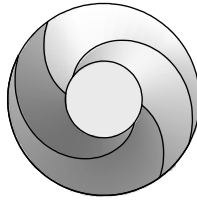
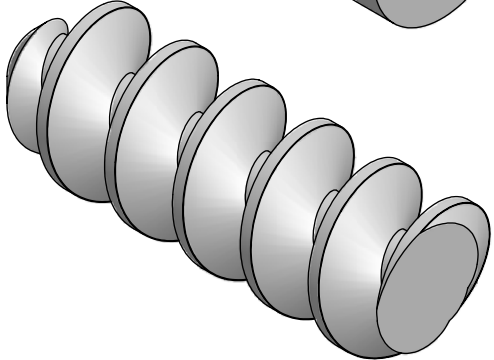
SINGLE VS DOUBLE THREADING OF A SCREW



BLANK



SINGLE THREAD



DOUBLE THREAD

